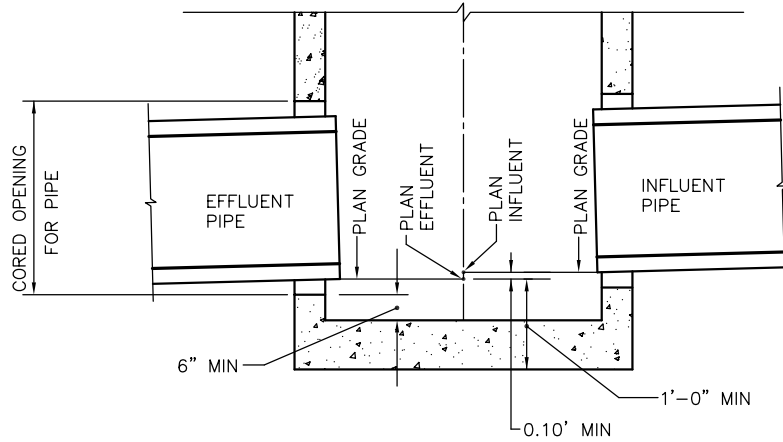
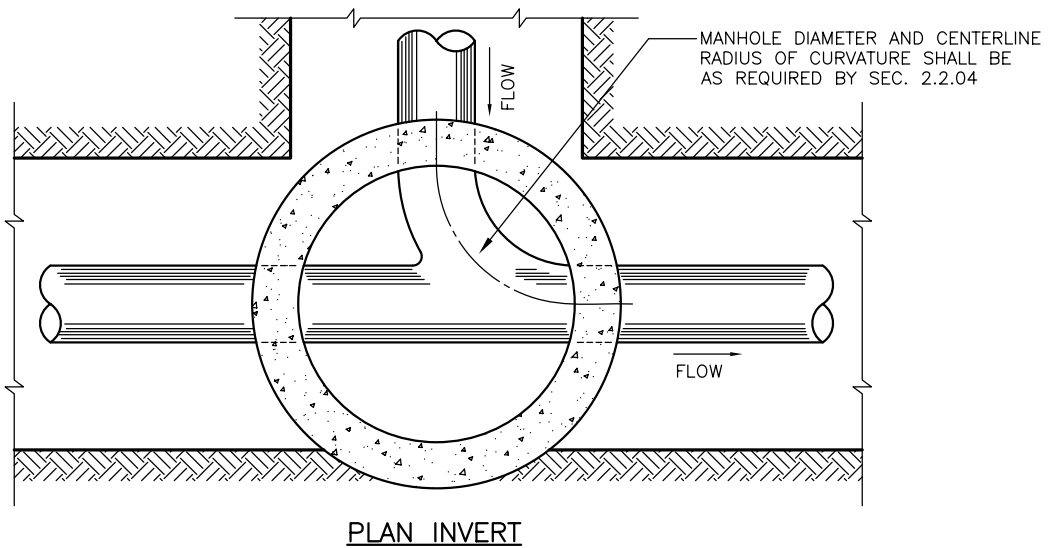


COUNTY OF HENRICO
DEPARTMENT OF PUBLIC UTILITIES



NOTE:

1. THE EFFLUENT ELEVATION SHOWN AT A MANHOLE IS ESTABLISHED FROM THE INFLUENT ELEVATION OF THE MANHOLE IMMEDIATELY DOWNSTREAM. ELEVATIONS SHOWN APPLY AT THE CENTERLINE OF MANHOLES AND ARE BASED ON THE HORIZONTAL DISTANCE, C.L. TO C.L. OF M.H., USING PERCENT OF GRADE INDICATED.



REVISIONS
06/20/2014

MANHOLE INVERT DETAILS

DRWG. NO.
D-135