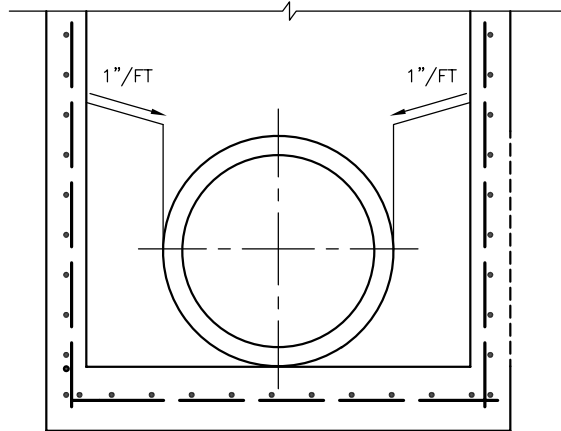
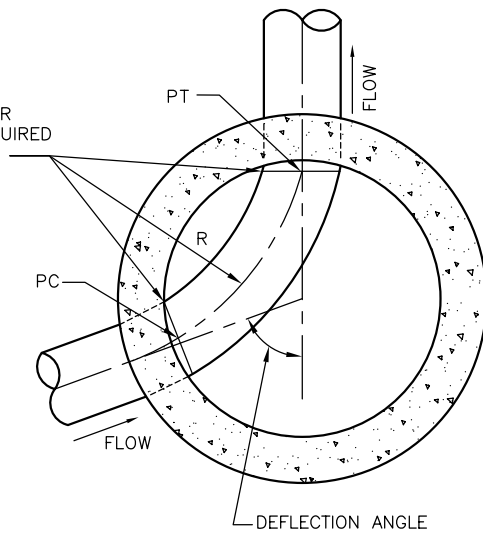


COUNTY OF HENRICO
DEPARTMENT OF PUBLIC UTILITIES



RADIUS (R) AND
MANHOLE DIAMETER
SHALL BE AS REQUIRED
BY SEC. 2.2.04.



NOTES:

1. PCs AND PTs ARE TO BE WITHIN THE MANHOLE.
2. ALL INVERTS TO BE U-SHAPED CHANNEL EQUAL TO PIPE ID AND SHALL BE CONSTRUCTED WITH SWEEPS.
3. A MINIMUM RADIUS (R) OF 2.5 TIMES THE ID OF THE UPSTREAM PIPE IS REQUIRED FOR ALL SWEEPS. IF THIS REQUIREMENT CANNOT BE MET, A LARGER DIAMETER MANHOLE SHALL BE REQUIRED.
4. MANHOLE PIPE CONNECTOR SHALL BE A RESILIENT WATER TIGHT SEAL.

REVISIONS
06/20/2014

MANHOLE INVERT DESIGN

DRWG. NO.
D-140