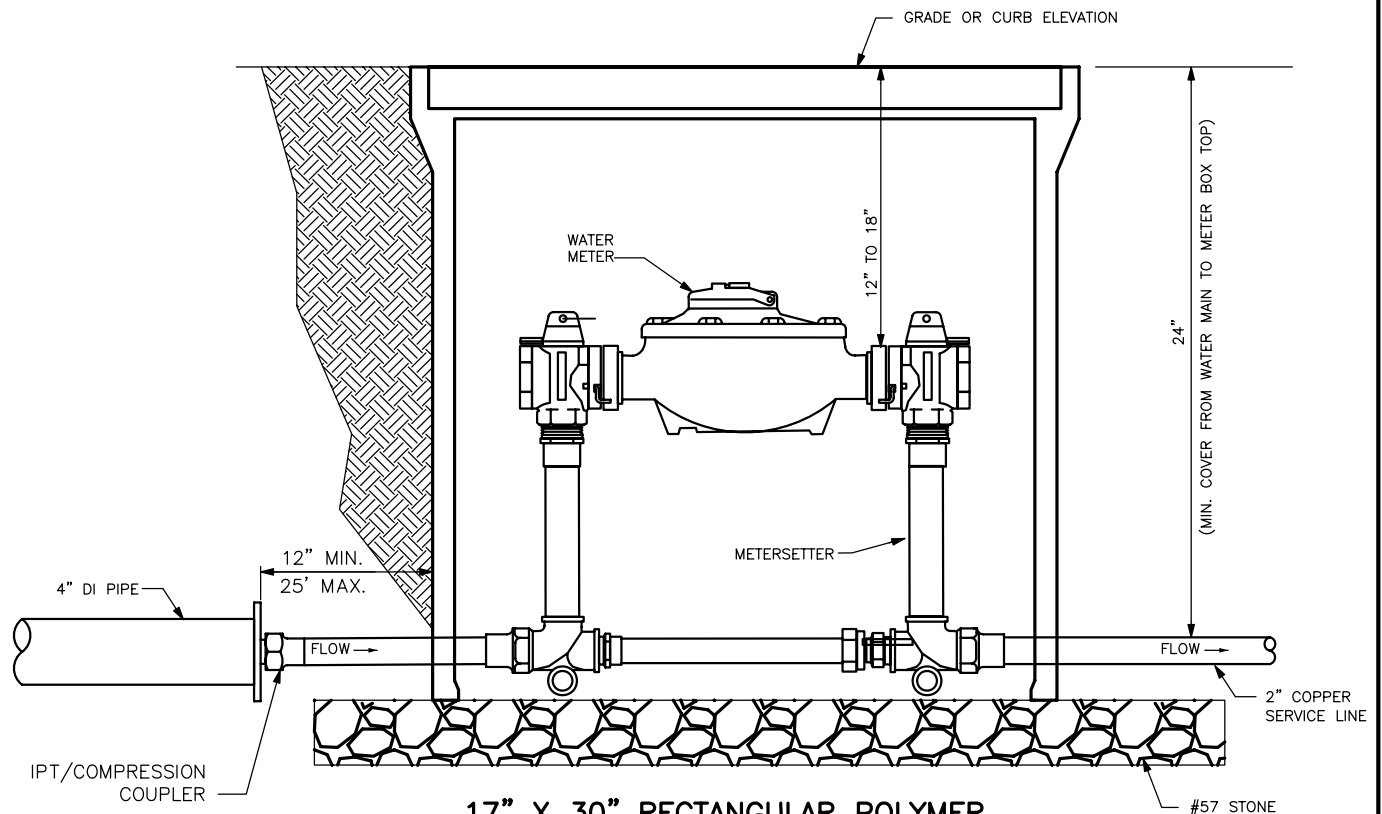


COUNTY OF HENRICO  
DEPARTMENT OF PUBLIC UTILITIES



17" X 30" RECTANGULAR POLYMER  
CONCRETE METER BOX SIMILAR TO  
OLDCASTLE H-SERIES 1730 OR  
HIGHLINE PRODUCTS ULTRA SERIES  
MODEL PHA173024H POLYMER  
CONCRETE BOX & LID

**NOTES:**

1. ALL WATER METERS TO BE FURNISHED & INSTALLED BY THE COUNTY.
2. ALL METERSETTERS PROVIDED FOR 1-1/2" & 2" METERS SHALL HAVE REMOVABLE PACK JOINTS SUITABLE FOR COPPER PIPE.
3. ALL METERSETTERS SHALL HAVE SADDLE NUTS, PADLOCK WINGS, AND SHALL BE SIMILAR TO FORD OR MUELLER.
4. BYPASS SHALL NOT BE PROVIDED.

REVISIONS  
06/20/2014

1 1/2" AND 2" METER SETTING  
WITH TAPPED PLUG

DRWG. NO.  
D-535-1